

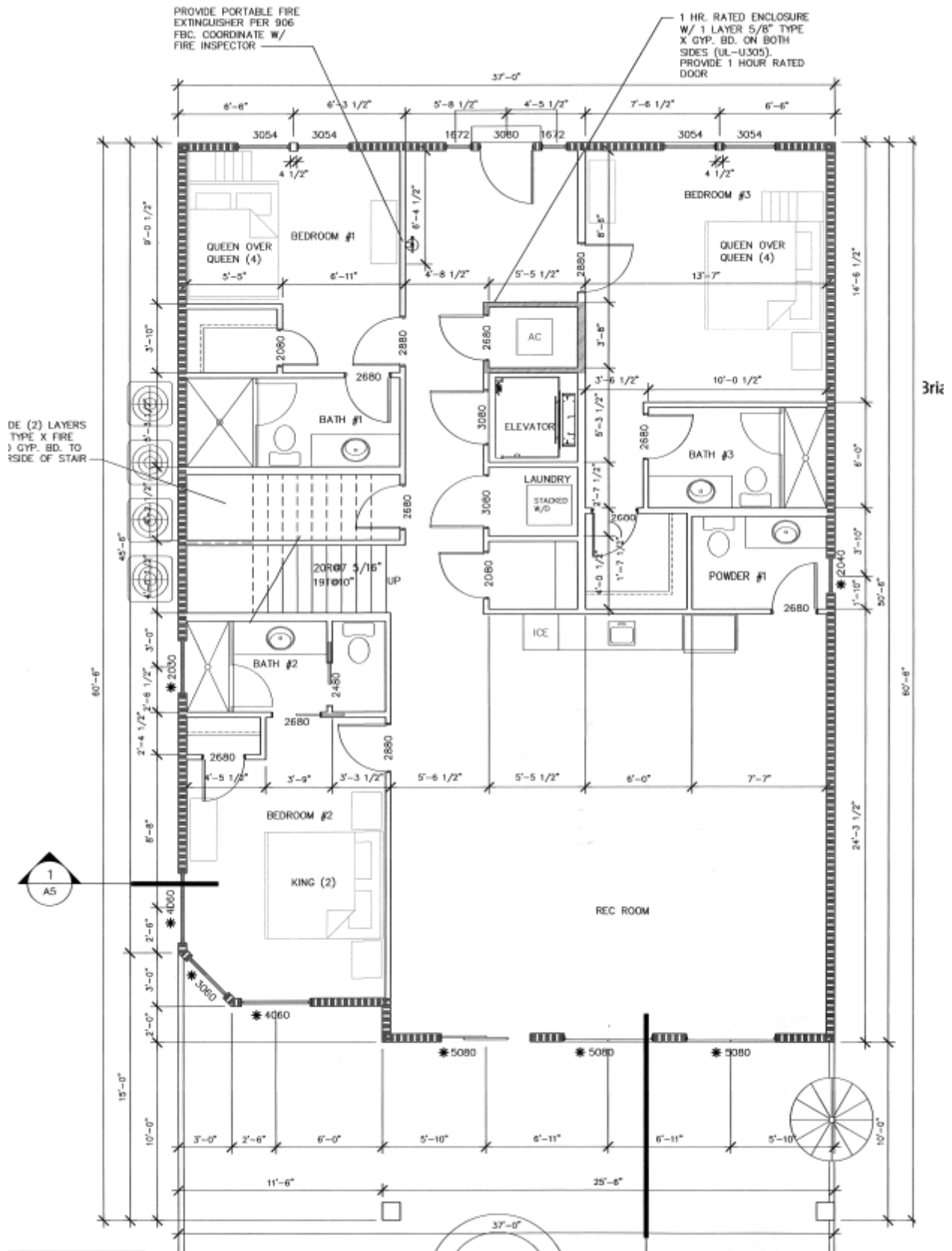
OCCUPANT LOAD (200
GROSS S.F. PER OCCUPANT
- RESIDENTIAL):
1841 S.F./200 S.F. PER
OCCUPANT = 10 OCCUPANTS
2ND FLOOR

SECOND FLOOR PLAN

SCALE: 1/4" = 1'-0"

2

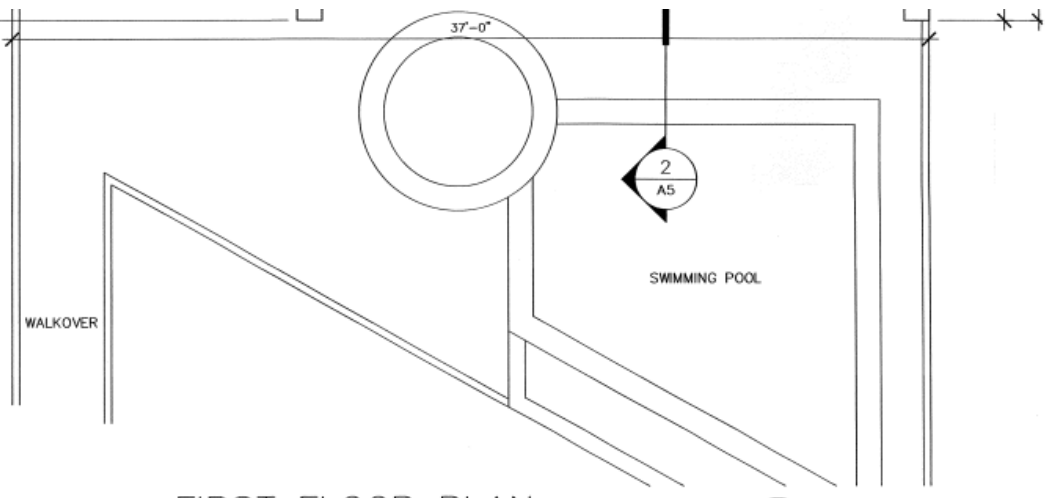
First floor



First floor pool

LOAD (200
PER OCCUPANT);
TIAL:
200 S.F. PER
= 10 OCCUPANTS

. X 8'-0" VERTICAL
) ERIOR WALLS.
OR DOORS

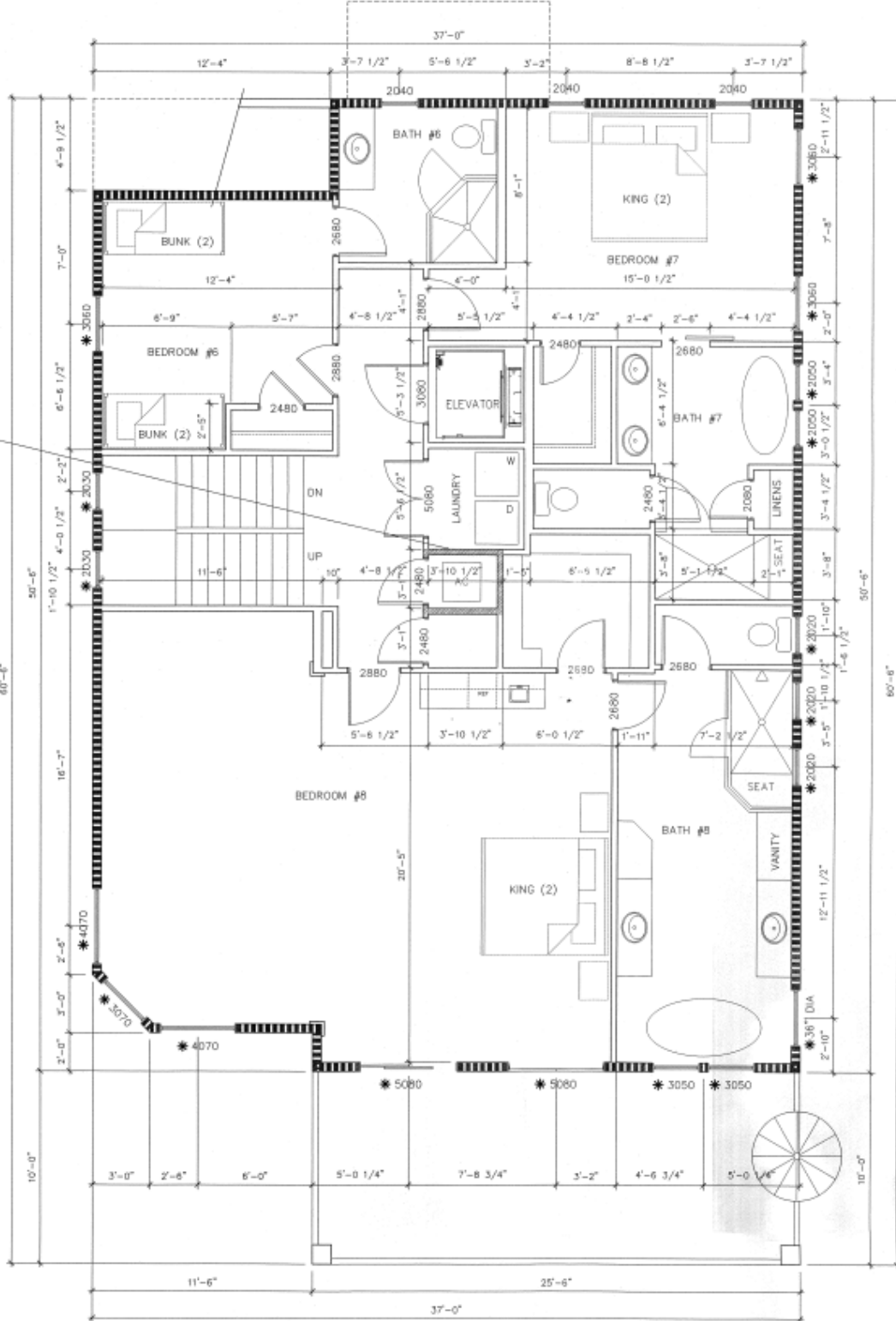


FIRST FLOOR PLAN

SCALE: 1/4" = 1'-0"

1

RATED ENCLOSURE
 AYER 5/8" TYPE
 BD. ON BOTH
 (UL-U305).
 E 1 HOUR RATED

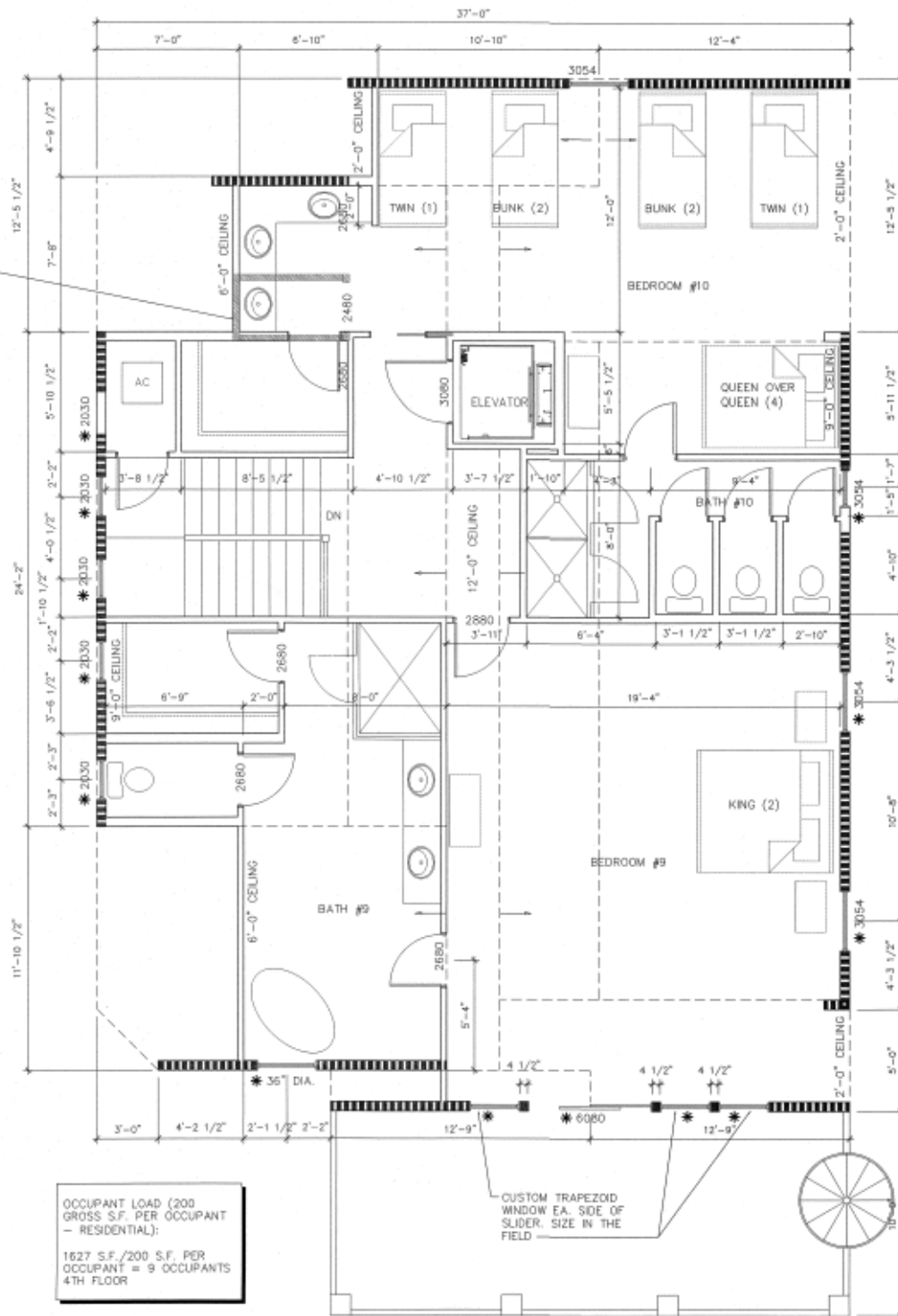


AD (200
 OR OCCUPANT
 .);
 1 S.F. PER
 9 OCCUPANTS

THIRD FLOOR

SCALE: 1/4" = 1'-0"

I. RATED ENCLOSURE
 1 LAYER 5/8" TYPE
 IP. BD. ON BOTH
 S (UL-U305).
 WIDE 1 HOUR RATED



OCCUPANT LOAD (200
 GROSS S.F. PER OCCUPANT
 - RESIDENTIAL):
 1627 S.F./200 S.F. PER
 OCCUPANT = 9 OCCUPANTS
 4TH FLOOR

CUSTOM TRAPEZOID
 WINDOW EA. SIDE OF
 SLIDER. SIZE IN THE
 FIELD

FOURTH FLOOR

SCALE: 1/4" = 1'-0"